
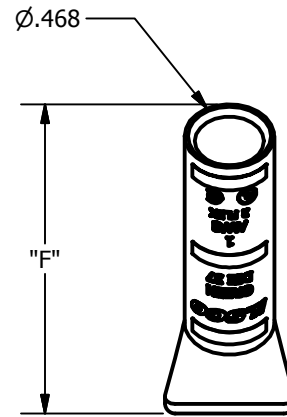
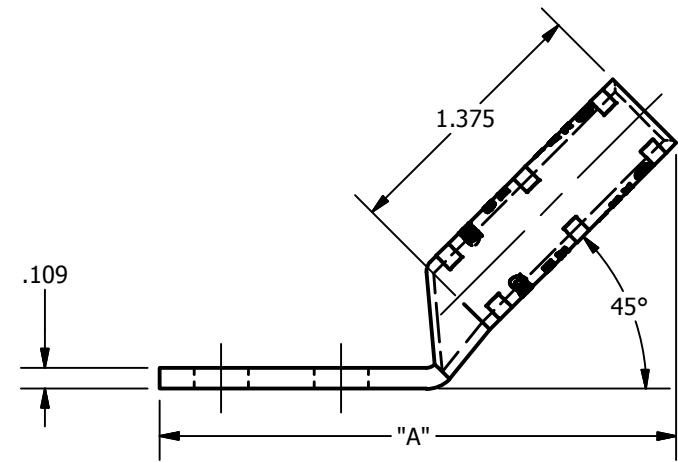
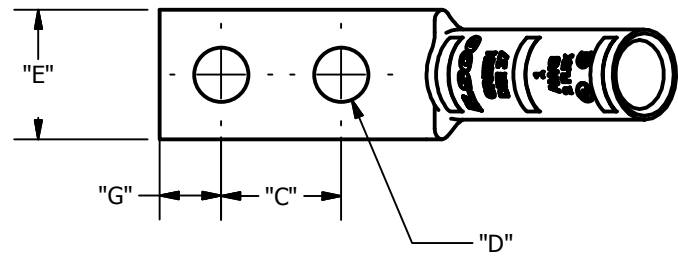


SCREW: NONE	MATERIAL: COPPER	REV: C	 800-776-9775 www.ilSCO.com
CAT. NO.: SEE CHART	PLATING: EL-TIN	DRAWN BY: DW SCALE: NTS	
INFORMATION SHEET: FORM 157	MARKING: SEE CHART	DATE: 6/3/2008 SIZE: B	
			DWG NO: Y0603-D-4
			SHEET: 1 OF 1



DETAIL E
INK MARK TOP & BOTTOM

CATALOG NUMBER	"A"	"C"	"D"	"E"	"F"	"G"	TANG MARKING
CLNB-1-10-12-4	2.589	0.500	0.219	0.673	1.620	0.257	UL, ILSCO, CSA, CLNB-1-10-12-4, 10 x 1/2, 1 AWG, 2 FLEX, DIE 37
CLNB-1-10-58-4	2.589	0.625	0.219	0.673	1.620	0.257	UL, ILSCO, CSA, CLNB-1-10-58-4, 10 x 5/8, 1 AWG, 2 FLEX, DIE 37
CLNB-1-10-1116-4	2.589	0.687	0.219	0.673	1.620	0.257	UL, ILSCO, CSA, CLNB-1-10-1116-4, 10 x 11/16, 1 AWG, 2 FLEX, DIE 37
CLNB-1-10-34-4	2.776	0.750	0.219	0.673	1.620	0.257	UL, ILSCO, CSA, CLNB-1-10-34-4, 10 x 3/4, 1 AWG, 2 FLEX, DIE 37
CLNB-1-10-1-4	3.026	1.000	0.219	0.673	1.620	0.257	UL, ILSCO, CSA, CLNB-1-10-1-4, 10 x 1, 1 AWG, 2 FLEX, DIE 37
CLNB-1-14-12-4	2.589	0.500	0.281	0.673	1.620	0.320	UL, ILSCO, CSA, CLNB-1-14-12-4, 1/4 x 1/2, 1 AWG, 2 FLEX, DIE 37
CLNB-1-14-58-4	2.776	0.625	0.281	0.673	1.620	0.320	UL, ILSCO, CSA, CLNB-1-14-58-4, 1/4 x 5/8, 1 AWG, 2 FLEX, DIE 37
CLNB-1-14-34-4	2.776	0.750	0.281	0.673	1.620	0.320	UL, ILSCO, CSA, CLNB-1-14-34-4, 1/4 x 3/4, 1 AWG, 2 FLEX, DIE 37
CLNB-1-14-1-4	3.026	1.000	0.281	0.673	1.620	0.320	UL, ILSCO, CSA, CLNB-1-14-1-4, 1/4 x 1, 1 AWG, 2 FLEX, DIE 37
CLNB-1-516-58-4	2.776	0.625	0.343	0.673	1.620	0.351	UL, ILSCO, CSA, CLNB-1-516-58-4, 5/16 x 5/8, 1 AWG, 2 FLEX, DIE 37
CLNB-1-516-34-4	3.026	0.750	0.343	0.673	1.620	0.351	UL, ILSCO, CSA, CLNB-1-516-34-4, 5/16 x 3/4, 1 AWG, 2 FLEX, DIE 37
CLNB-1-516-78-4	3.026	0.875	0.343	0.673	1.620	0.351	UL, ILSCO, CSA, CLNB-1-516-78-4, 5/16 x 7/8, 1 AWG, 2 FLEX, DIE 37
CLNB-1-516-1-4	3.276	1.000	0.343	0.673	1.620	0.351	UL, ILSCO, CSA, CLNB-1-516-1-4, 5/16 x 1, 1 AWG, 2 FLEX, DIE 37
CLNB-1-516-134-4	3.839	1.750	0.343	0.673	1.620	0.351	UL, ILSCO, CSA, CLNB-1-516-134-4, 5/16 x 1-3/4, 1 AWG, 2 FLEX, DIE 37
CLNB-1-38-34-4	3.026	0.750	0.406	0.673	1.620	0.414	UL, ILSCO, CSA, CLNB-1-38-34-4, 3/8 x 3/4, 1 AWG, 2 FLEX, DIE 37
CLNB-1-38-78-4	3.276	0.875	0.406	0.673	1.620	0.414	UL, ILSCO, CSA, CLNB-1-38-78-4, 3/8 x 7/8, 1 AWG, 2 FLEX, DIE 37
CLNB-1-38-1-4	3.276	1.000	0.406	0.673	1.620	0.414	UL, ILSCO, CSA, CLNB-1-38-1-4, 3/8 x 1, 1 AWG, 2 FLEX, DIE 37
CLNB-1-38-116-4	3.276	1.062	0.406	0.673	1.620	0.414	UL, ILSCO, CSA, CLNB-1-38-116-4, 3/8 x 1-1/6, 1 AWG, 2 FLEX, DIE 37
CLNB-1-38-118-4	3.464	1.125	0.406	0.673	1.620	0.414	UL, ILSCO, CSA, CLNB-1-38-118-4, 3/8 x 1-1/8, 1 AWG, 2 FLEX, DIE 37
CLNB-1-38-134-4	3.964	1.750	0.406	0.673	1.620	0.414	UL, ILSCO, CSA, CLNB-1-38-134-4, 3/8 x 1-3/4, 1 AWG, 2 FLEX, DIE 37
CLNB-1-38-2-4	4.339	2.000	0.406	0.673	1.620	0.414	UL, ILSCO, CSA, CLNB-1-38-2-4, 3/8 x 2, 1 AWG, 2 FLEX, DIE 37
CLNB-1-12-1-4	3.464	1.000	0.562	0.750	1.620	0.546	UL, ILSCO, CSA, CLNB-1-12-1-4, 1/2 x 1, 1 AWG, 2 FLEX, DIE 37
CLNB-1-12-114-4	3.839	1.250	0.562	0.750	1.620	0.546	UL, ILSCO, CSA, CLNB-1-12-114-4, 1/2 x 1-1/4, 1 AWG, 2 FLEX, DIE 37
CLNB-1-12-112-4	3.964	1.500	0.562	0.750	1.620	0.546	UL, ILSCO, CSA, CLNB-1-12-112-4, 1/2 x 1-1/2, 1 AWG, 2 FLEX, DIE 37
CLNB-1-12-134-4	4.339	1.750	0.562	0.750	1.620	0.546	UL, ILSCO, CSA, CLNB-1-12-134-4, 1/2 x 1-3/4, 1 AWG, 2 FLEX, DIE 37
CLNB-1-12-178-4	4.339	1.875	0.562	0.750	1.620	0.546	UL, ILSCO, CSA, CLNB-1-12-178-4, 1/2 x 1-7/8, 1 AWG, 2 FLEX, DIE 37